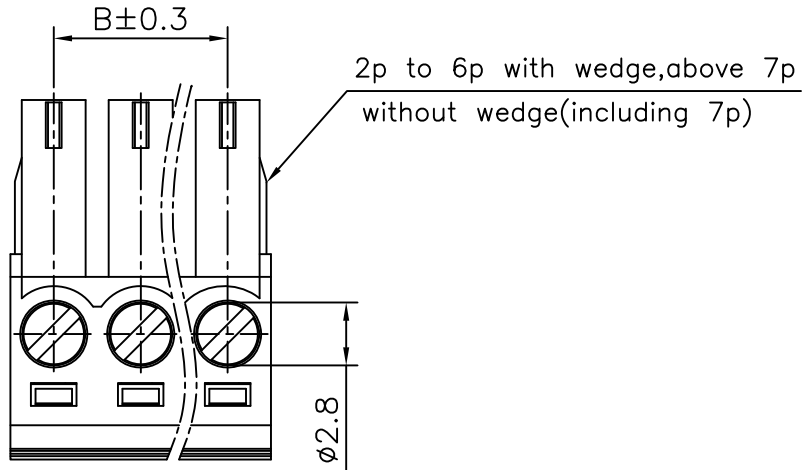


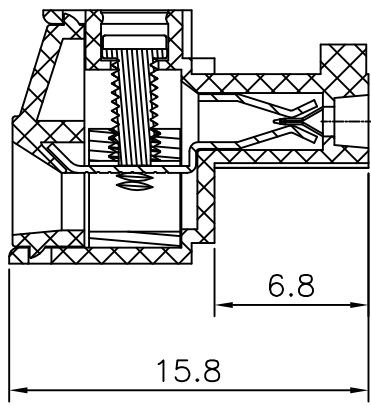
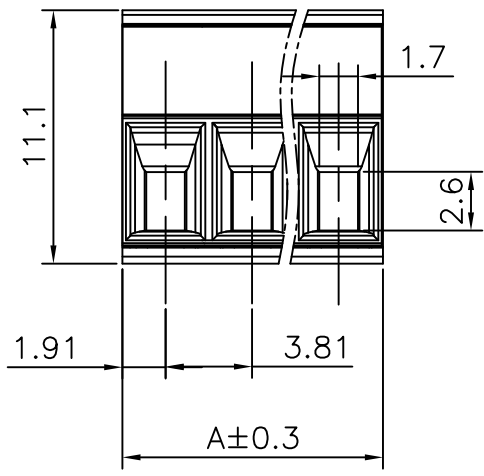
REV.	SPECIFICATION	ECN NO.	APPD.



Material:
Housing: Thermoplastic Polyester UL94V-0.
Female Contact: Copper Alloy, Tin Plated.
Clamp: Copper Alloy, Ni Plated.
Screw: Metal, Zinc Plated, M2.

Electrical Characteristics:
Voltage Rating: 300V.
Current Rating: 10A.
Solid Wire (AWG): 16-28.
Stranded Wire (AWG): 16-28.
Torque (LB-In): 3Lb-In.
Wire Strip Length: 6-7mm.
Withstanding Voltage: 1.6KV.
Operating Temperature: -40°C ~ +115°C.

***RoHS Compliant**



8933- D 111158 G AA CD xx B
Series D:Pitch 3.81mm Manufacturing Code G:Green B:Black Y:Grey U:Blue AA:Slotted "-" Screw AB:Combination "+" Screw CD:W/O Flange No. of Positions B: Bulk Package for 2~5 Pos Box Package for 6~24 Pos

Position	2 Thru 24
Dimension	
A	No. of Positions * 3.81
B	(No. of Positions - 1) * 3.81

Tolerances	Dwg. No.	8933D02013
x = ±0.5	Projection	\oplus \triangleleft
.x = ±0.30	Unit	mm
.xx = ±0.15	Scale	1:1
	Drawn By	Peggy 02/26'16

Title: 8933 Series
3.81mm Terminal Block
(8100-XXFTR11-02)

① 780

OUPIN
OUPIN ELECTRONIC(KUNSHAN) CO., LTD.
P/N: 8933-D111158GAACDxxB

SHEET	1/1	Ver.No.	A2
-------	-----	---------	----