

REV.	SPECIFICATION	ECN NO.	APPD.

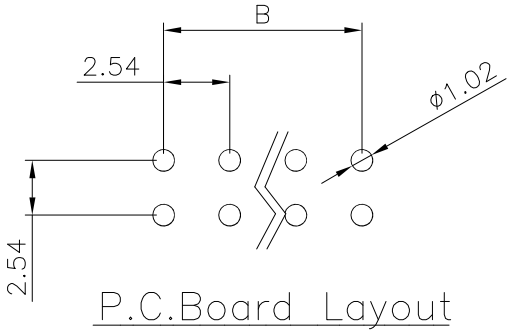
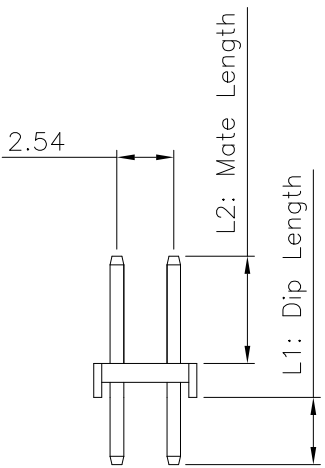
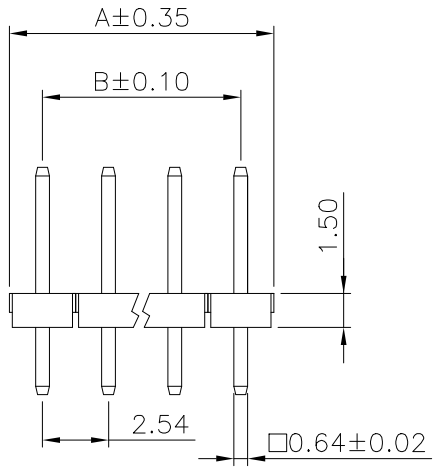
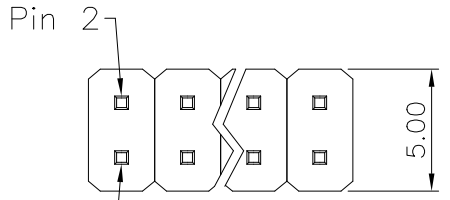
Material:

Housing: PA6T, UL94V-0,Black.
 Contacts: Brass, Gold Plated over Nickel 50u" or Gold Plated on Contact Area and 80~120u" Tin Plated on Solder Tail over Nickel 50u".

Electrical Characteristics:

Current Rating: 3 AMP.
 Dielectric Withstanding Voltage: AC 1000V.
 Insulation Resistance: 1000MΩ min.
 Contact Resistance: 20mΩ max.
 Operating Temperature: -40°C~+105°C.

***RoHS Compliant**



2011- 2 X xx G 00 S -L1-L2 B -H1.5

Series ——— Plastic Height
 Double Row ——— B: Bulk Package
 No. of Pin Per Row ——— L1: Dip Length
 G: Gold Plated ——— L2: Mating Length
 C: Selective Gold Plated
 00: Gold Flash ——— S: Straight
 10: 10 u"
 15: 15 u"
 30: 30 u"

Dimension					
Positions	A	B	Positions	A	B
2X02	4.83	2.54	2X22	55.63	53.34
2X03	7.37	5.08	2X23	58.17	55.88
2X04	9.91	7.62	2X24	60.71	58.42
2X05	12.45	10.16	2X25	63.25	60.96
2X06	14.99	12.70	2X26	65.79	63.50
2X07	17.53	15.24	2X27	68.33	66.04
2X08	20.07	17.78	2X28	70.87	68.58
2X09	22.61	20.32	2X29	73.41	71.12
2X10	25.15	22.86	2X30	75.95	73.66
2X11	27.69	25.40	2X31	78.49	76.20
2X12	30.23	27.94	2X32	81.03	78.74
2X13	32.77	30.48	2X33	83.57	81.28
2X14	35.31	33.02	2X34	86.11	83.82
2X15	37.85	35.56	2X35	88.65	86.36
2X16	40.39	38.10	2X36	91.19	88.90
2X17	42.93	40.64	2X37	93.73	91.44
2X18	45.47	43.18	2X38	96.27	93.98
2X19	48.01	45.72	2X39	98.81	96.52
2X20	50.55	48.26	2X40	101.60	99.06
2X21	53.09	50.80			

ie: 2011-2XxxG00S-3.3-2.7-H1.5
 3.3mm Dip Length(increment of 0.10mm)
 2.7mm Mate Length(increment of 0.10mm)

Tolerances .x = ±0.30 .xx = ±0.20	Dwg No.	2011D01090		Title: 2011 Series Pin Header 2.54mmX2.54mm Double Row Height 1.5mm Straight Solder Type	 OUPIIN ELECTRONIC(KUNSHAN) CO., LTD. P/N: 2011-2XxxG00S-L1-L2B-H1.5
	Projection				
	Unit	mm	Scale		
Drawn By	Martin 10/23'23		①535	SHEET	1/1
				Ver.No.	A6