

REV.	SPECIFICATION	ECN NO.	APPD.

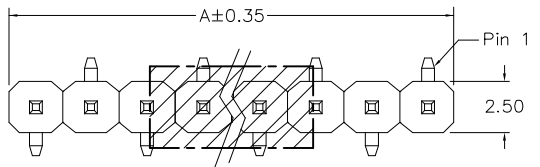
Material:

Housing: PA6T, UL94V-0, Black.
Contacts: Brass, Gold Plated or 120~160u" Matte Tin Plated over Nickel 20~40u" , or Gold Plated on Contact Area and 80~120u" Matte Tin Plated on solder Tail over Nickel 20~40u".

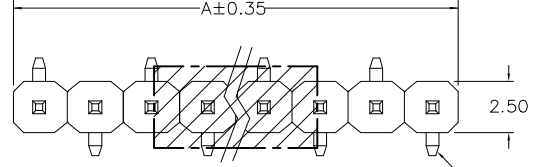
Electrical Characteristics:

Current Rating: 3 AMP.
Dielectric Withstanding Voltage: AC 500V.
Insulator Resistance: 1000MΩ min.
Contact Resistance: 20mΩ max.
Operating Temperature: -40°C~+105°C.

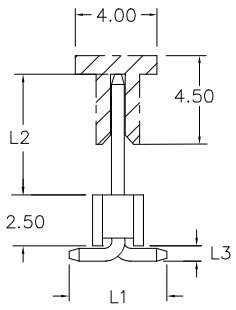
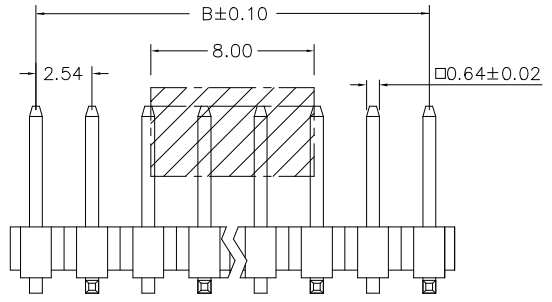
***RoHS Compliant**



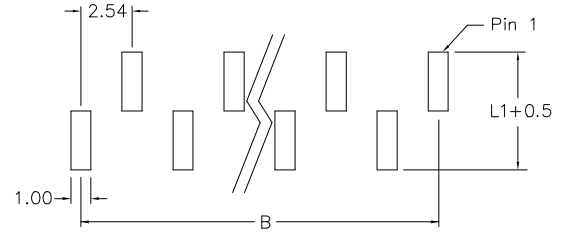
Type A



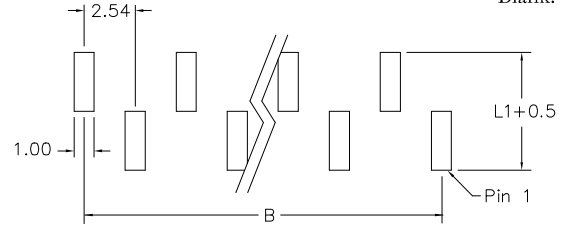
Type B



2015- 1 X xx G 00 D x -L1 -L2 -L3 U -P
Series — 2015-
Single Row — 1
Positions — X
G: Gold Plated
C: Selective Gold Plated
MT: Matte Tin Plated
00: Gold Flash
10: 10u"
15: 15u"
30: 30u"
Blank: for Matte Tin Plated
D: SMD Type
x: SMD Length
-L1: SMD Length
-L2: Mate Length
-L3: Extended Length
U: Tube Package
-P: Plastic Pad
Blank: Without Pad
B: Bulk Package
T: Tape & Reel Package



P.C. Board Layout Type A



P.C. Board Layout Type B

Positions	Dimension				
	A	B	Positions	A	B
02	4.83	2.54	22	55.63	53.34
03	7.37	5.08	23	58.17	55.88
04	9.91	7.62	24	60.71	58.42
05	12.45	10.16	25	63.25	60.96
06	14.99	12.70	26	65.79	63.50
07	17.53	15.24	27	68.33	66.04
08	20.07	17.78	28	70.87	68.58
09	22.61	20.32	29	73.41	71.12
10	25.15	22.86	30	75.95	73.66
11	27.69	25.40	31	78.49	76.20
12	30.23	27.94	32	81.03	78.74
13	32.77	30.48	33	83.57	81.28
14	35.31	33.02	34	86.11	83.82
15	37.85	35.56	35	88.65	86.36
16	40.39	38.10	36	91.19	88.90
17	42.93	40.64	37	93.73	91.44
18	45.47	43.18	38	96.27	93.98
19	48.01	45.72	39	98.81	96.52
20	50.55	48.26	40	101.60	99.06
21	53.09	50.80			

Standard item:
ie: 2015-1XxxG00Dx-U-P (SMD Length 4.9mm, Mate Length 6.2mm, Extended Length 0.8mm)
Custom item:
ie: 2015-1XxxG00Dx-5.2-5.8-1.3U-P (2015-1XxxG00Dx-L1-L2-L3U-P)
5.2mm SMD Length (increment of 0.1mm)
5.8mm Mate Length (increment of 0.1mm)
1.3mm Extended Length (increment of 0.1mm)

Tolerances	Dwg. No.	2015D01002	Title:	2015 Series
.x = ±0.30	Projection		Pin Header 2.54mm	
	Unit	mm	Single Row	
.xx = ±0.20	Scale	1:1	S.M.D Type	
	Drawn By	Martin 05/04'23	S.M.D Type	

OUPIIN
OUPIIN ELECTRONIC(KUNSHAN) CO., LTD.
P/N: 2015-1XxxG00Dx-L1-L2-L3U-P
SHEET 1/1 Ver.No. C4