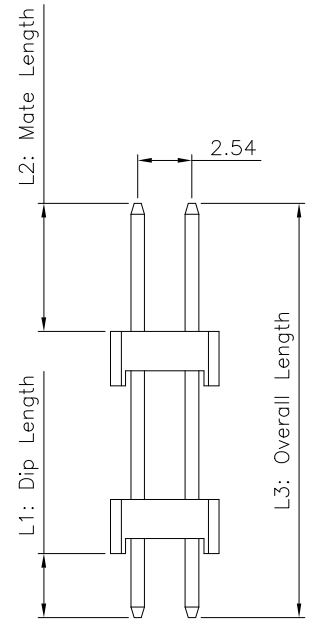
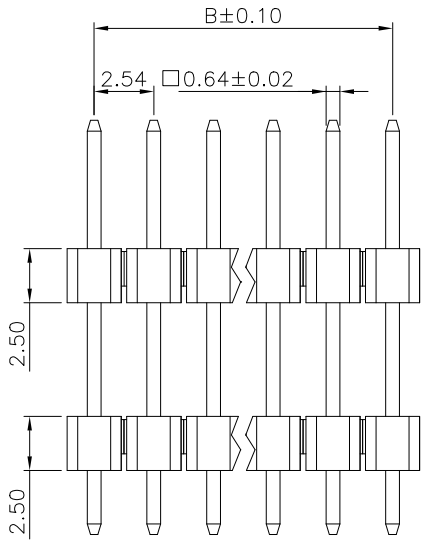
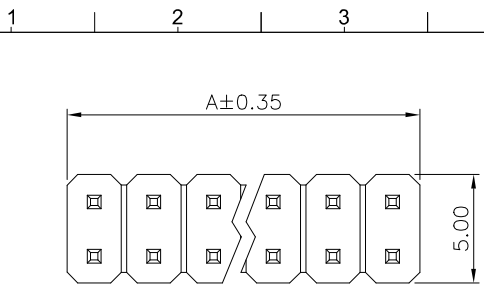
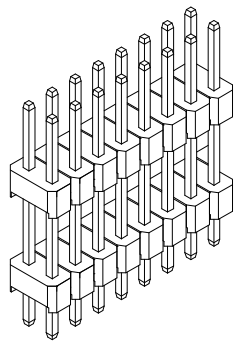


REV.	SPECIFICATION	ECN NO.	APPD.

Material:
Housing: PA6T, UL94V-0,Black.
Contacts: Brass,Gold Plated over Nickel 50u" or 80~120u"
Tin Plated over Nickel 50u".

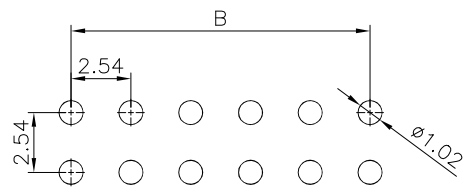
Electrical Characteristics:
Current Rating: 3 AMP.
Dielectric Withstanding Voltage: AC 1000V.
Insulator Resistance: 1000MΩ min.
Contact Resistance: 20mΩ max.
Operating Temperature: -40°C~+105°C.
***RoHS Compliant**



Dimension					
Positions	A	B	Positions	A	B
2X02	4.83	2.54	2X22	55.63	53.34
2X03	7.37	5.08	2X23	58.17	55.88
2X04	9.91	7.62	2X24	60.71	58.42
2X05	12.45	10.16	2X25	63.25	60.96
2X06	14.99	12.70	2X26	65.79	63.50
2X07	17.53	15.24	2X27	68.33	66.04
2X08	20.07	17.78	2X28	70.87	68.58
2X09	22.61	20.32	2X29	73.41	71.12
2X10	25.15	22.86	2X30	75.95	73.66
2X11	27.69	25.40	2X31	78.49	76.20
2X12	30.23	27.94	2X32	81.03	78.74
2X13	32.77	30.48	2X33	83.57	81.28
2X14	35.31	33.02	2X34	86.11	83.82
2X15	37.85	35.56	2X35	88.65	86.36
2X16	40.39	38.10	2X36	91.19	88.90
2X17	42.93	40.64	2X37	93.73	91.44
2X18	45.47	43.18	2X38	96.27	93.98
2X19	48.01	45.72	2X39	98.81	96.52
2X20	50.55	48.26	2X40	101.60	99.06
2X21	53.09	50.80			

Series: 2012- 2 X xx G 00 S -L1 -L2 -L3 B -HT

- 2012-: Series
- 2: Double Row
- X: No. of Pin Per Row
- xx: G: Gold Plated; T: Tin Plated; 00: Gold Flash; 10: 10u"; 15: 15u"; 30: 30u"; Blank: For Tin Plated
- G: Gold Plated
- 00: Gold Flash
- 10: 10u"
- 15: 15u"
- 30: 30u"
- Blank: For Tin Plated
- S: Straight
- L1: Dip Length
- L2: Mate Length
- L3: Overall Length
- B: Bulk Package
- HT: High Temperature Plastic



P.C.Board Layout

ie: 2012-2XxxG00S-3-6-19.4B
3.0mm Dip Length(increment of 0.1mm)
6.0mm Mate Length(increment of 0.1mm)
19.4mm Overall Length(increment of 0.1mm)

Tolerances	Dwg No.	2012D01030		Title:	2012 Series Pin Header 2.54mmX2.54mm	
.x = ±0.30 .xx = ±0.20	Projection			Double Row Double Insulator High Temp Straight Solder Type		
	Unit	mm	Scale	1:1	SHEET	
Drawn By	Martin 05/03'23		①535	Ver.No.	A4	

OUPIIN
OUPIIN ELECTRONIC(KUNSHAN) CO., LTD.
P/N:2012-2XxxG00S-L1-L2-L3B-HT
SHEET 1/1 Ver.No. A4