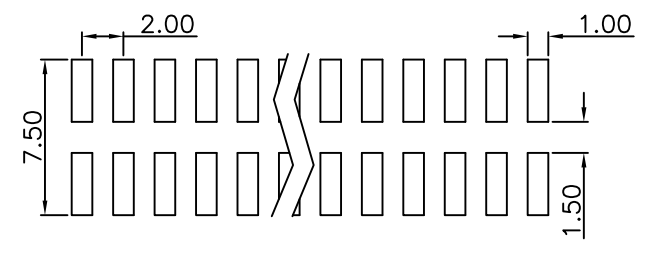
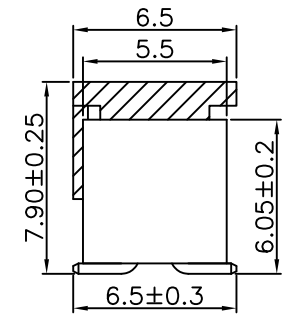
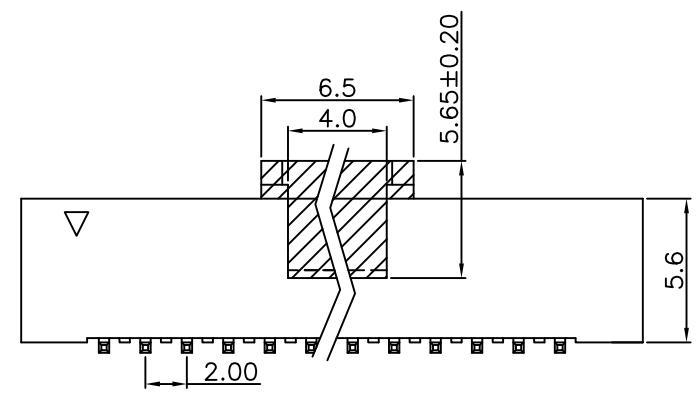
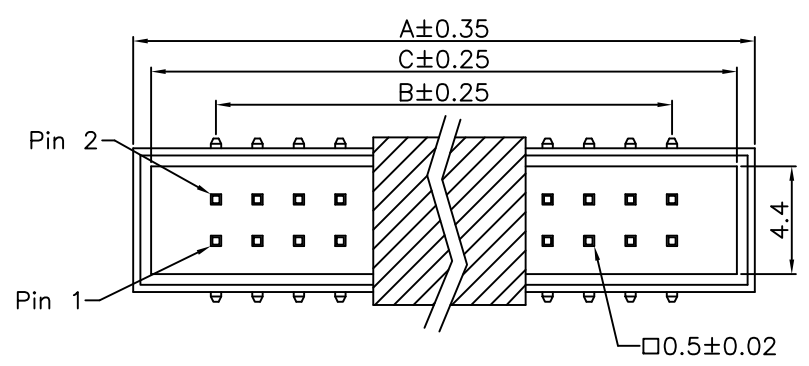


REV.	SPECIFICATION	ECN NO.	APPD.



P.C.Board Layout

Material:
Housing: PA6T, 30% Glass Filled, UL94V-0.
Contacts: Brass, Gold Plated on Contact Area and Gold Flash on Solder Tail over Nickel 50u".

Electrical Characteristics:
Current Rating: 1 AMP.
Dielectric Withstanding Voltage: AC 500V for 1 minute.
Insulation Resistance: 5000MΩ min. at DC 500V.
Contact Resistance: 20mΩ max. at DC 100mA.
Operating Temperature: -40°C~+105°C.
***RoHS Compliant**

Position	Dimension		
	A	B	C
6	13.20	4.00	12.10
8	15.20	6.00	14.10
10	17.20	8.00	16.10
12	19.20	10.00	18.10
14	21.20	12.00	20.10
16	23.20	14.00	22.10
20	27.20	18.00	26.10
22	29.20	20.00	28.10
24	31.20	22.00	30.10
26	33.20	24.00	32.10
30	37.20	28.00	36.10
32	39.20	30.00	38.10
34	41.20	32.00	40.10
40	47.20	38.00	46.10
44	51.20	42.00	50.10
50	57.20	48.00	56.10
60	67.20	58.00	66.10
64	71.20	62.00	70.10
68	75.20	66.00	74.10

3112- xx G 00 D B T -P

Series ———
No. of Pin Count ———
G: Gold Plated ———
00: Gold Flash ———
D: SMD Type ———

————— P: Plastic Pad
————— Blank: W/O Pad
————— T: Tape & Reel Package
————— A: Tray Package
————— U: Tube Package
————— B: Black

Tolerances	Dwg No.	3112D01006	Title:		 OUPIIN ELECTRONIC(KUNSHAN) CO., LTD. P/N: 3112-xxG00DBT-P SHEET 1/1 Ver.No. A5
.x = ±0.50	Projection		3112Series		
.xx = ±0.25	Unit	mm	Box Header 2.0mm X 2.0mm		
.xxx = ±0.15	Scale	1:1	SMD Type		
	Drawn By	Lan 01/09'17	①535		