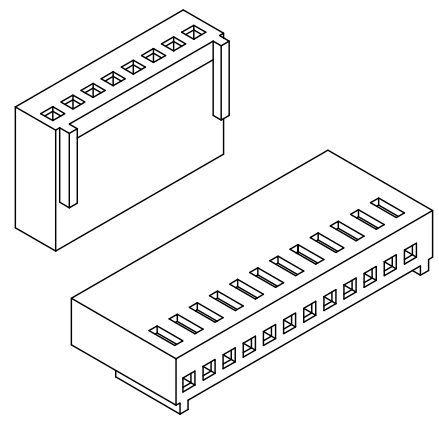


REV.	SPECIFICATION	ECN NO.	APPD.



Material:

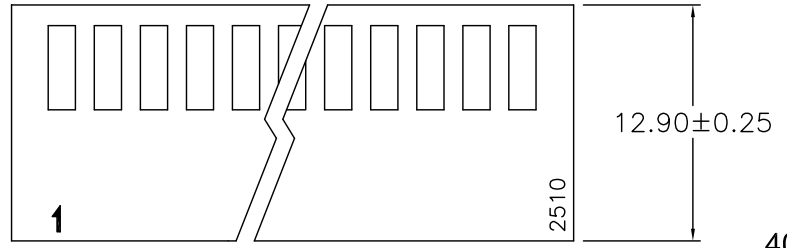
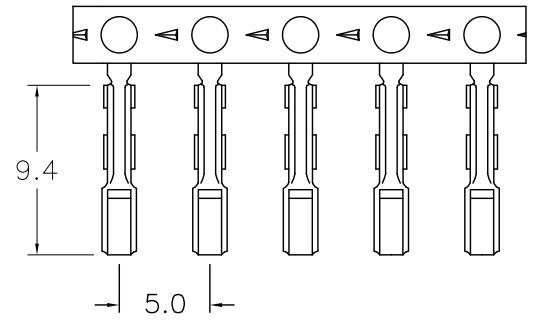
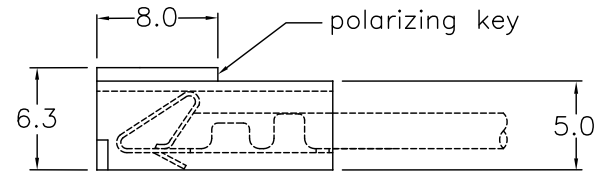
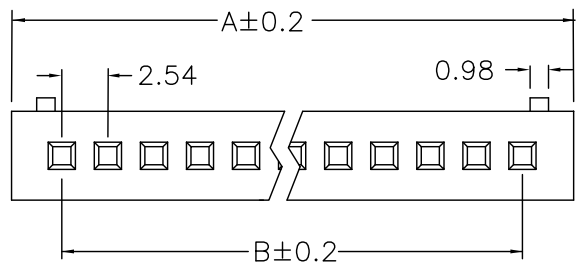
Housing: PA66,UL94V-2.
Contacts: Brass, 100μ" Tin Plated on Contact Area and solder tail over Nickel 30μ".

Terminal Plating: Tin plated.
Recommend Wire: 22AWG to 28AWG.

Electrical Characteristics:

Voltage Rating: AC/DC 250V.
Current Rating: 3 AMP.
Dielectric Withstanding Voltage: AC 1500V For 1 minute.
Insulator Resistance: 1000MΩ min. at DC 500V.
Contact Resistance: 20mΩ max.
Operating Temperature: -25°C~+85°C.

***RoHS Compliant**



4071-xx **H** **B**
 Series No.of Position H: Housing B: Bulk Package

4071-PIN-T-10K
 Series T: Tin Plated 10K Pins Per Reel

Position	2 Thru 20
Dimension	
A	2.54 X No. of Positions+0.6
B	2.54 X No. of Positions-2.54

Tolerances	Dwg. No.	4071D02001	Title:	
x = ±0.5	Projection		4071 Series	
.x = ±0.3	Unit	mm	Scale	1:1
.xx = ±0.15	Drawn By	LQ 08/30'18	Housing 2.54mm	

①704

OUPIN			
OUPIN ELECTRONIC(KUNSHAN) CO., LTD.			
P/N: 4071-xxHB&4071-PIN-T-10K			
SHEET	1/1	Ver.No.	B3