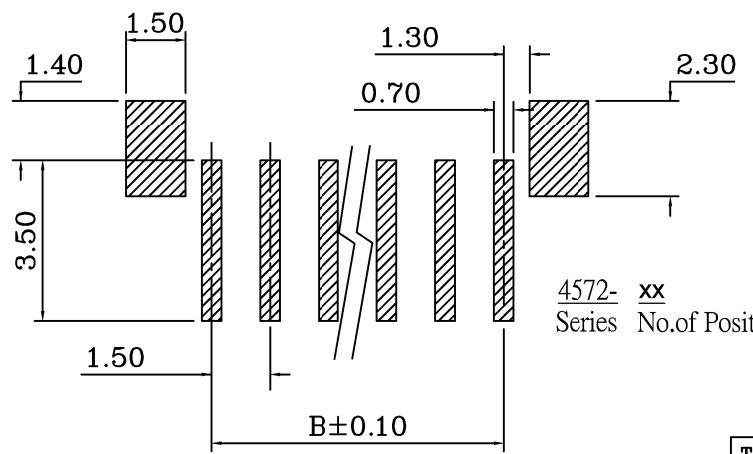
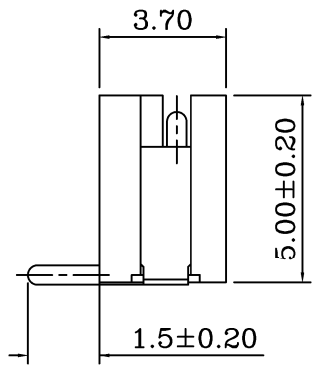
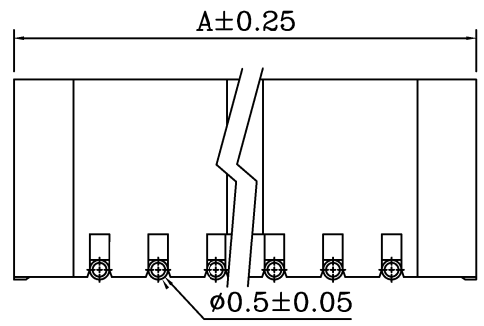
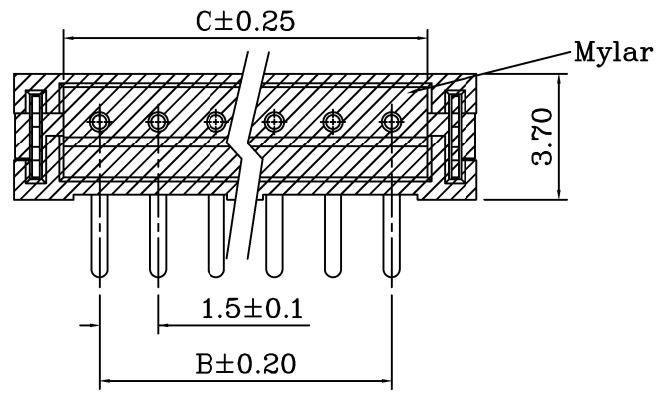


REV.	SPECIFICATION	ECN NO.	APPD.



P.C. Board Layout

4572-xx Series No. of Position T: Tin Plated D3: SMD Top Entry (Straight) T: Tape & Reel Package U: Tube Package S: Mylar Blank: W/O Mylar

**Material:**

Housing: PA9T, UL94V-0, Natural.  
 Contacts: Brass, 120u" Tin Plated over Nickel 50u".  
 Solder Pad: Brass, 120u" Tin Plated over Nickel 50u".

**Electrical Characteristics:**

Current Rating: 1 AMP.  
 Dielectric Withstanding Voltage: AC 500V.  
 Insulator Resistance: 500MΩ min.  
 Contact Resistance: 20mΩ max.  
 Operating Temperature: -25°C~+85°C.

**\*RoHS Compliant**

Position	Dimension		
	A	B	C
2	6.00	1.50	3.60
3	7.50	3.00	5.10
4	9.00	4.50	6.60
5	10.50	6.00	8.10
6	12.00	7.50	9.60
7	13.50	9.00	11.10
8	15.00	10.50	12.60
9	16.50	12.00	14.10
10	18.00	13.50	15.60
11	19.50	15.00	17.10
12	21.00	16.50	18.60
13	22.50	18.00	20.10

Tolerances	Drawn No.	4572D01003
.x = ±0.35	Projection	
.xx = ±0.25	Unit	mm
.xxx = ±0.15	Scale	1:1
	Drawn By	Jerry 11/11'19

Title: 4572 Series  
 1.5mm Wire to Board  
 Straight Top Entry Type

**OUPIIN**  
 OUPIIN ELECTRONIC(KUNSHAN) CO., LTD.  
 P/N: 4572-xxTD3T-S

SHEET	1/1	Ver.No.	A5
-------	-----	---------	----