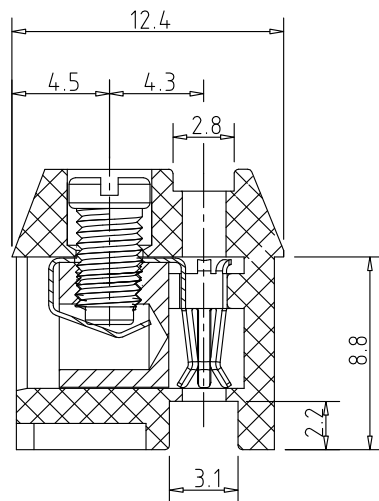
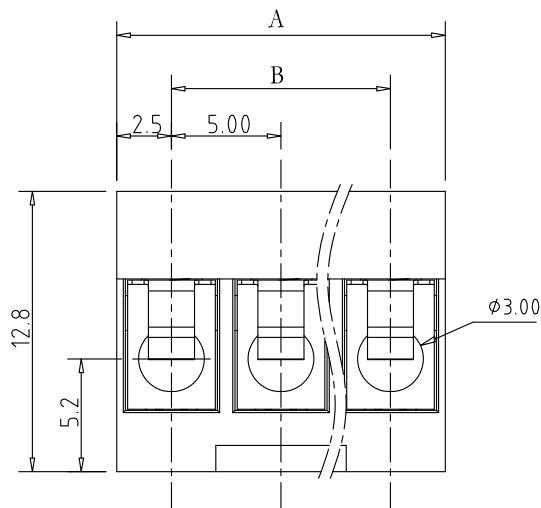
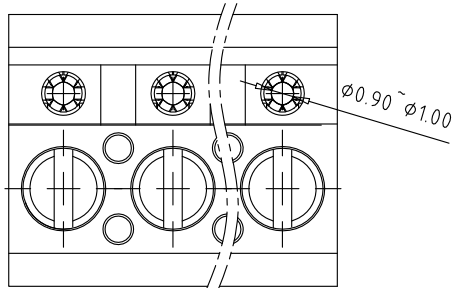


REV.	SPECIFICATION	ECN NO.	APPD.
R1			



**Material:**

Housing: Thermoplastic Polyester UL94V-0.

Female contact: Copper Alloy, Tin Plated.

Clamp: Copper Alloy, Ni Plated.

Screw: Metal, Zinc Plated, M3.0

**Electrical Characteristics:**

Voltage rating: 300V

Current rating: 10A

Solid wire(AWG): 12~26

Stranded wire(AWG): 12~26

Torque: 3.5Lb-In

Wire strip length: 6-7mm

Withstanding Voltage: 1.6 KV

Operating temperature: -40°C ~ +115°C

**\*RoHS Compliant**

8933- F 124128 B AA GA xx B  
 Series F:Pitch Manufacturing B:Black AA:Slotted GA:Round Hole No. of B:Bulk Package  
 5.0mm Code "—"Screw Positions

Position	02 Thru 12
Dimension	
A	No.of Position *5.0
B	(No.of Position-1) *5.0

Tolerances	Dwg. No.	S0320110801-2	
x = ±0.50	Date	20130205	
.x = ±0.30	Unit	mm	Scale 1/N T.S.
.xx = ±0.15	Drawn By	Stanley chen	

Title:  
 8933 Series  
 5.0mm Terminal Block  
 (8500-xxFTS21-05)

**OUPIN**  
 OUPIIN ELECTRONIC(KUNSHAN) CO., LTD.  
 P/N: 8933-F124128BAAGAXXSB

①	②	③	SHEET	1/1	Ver.No.	X2
---	---	---	-------	-----	---------	----