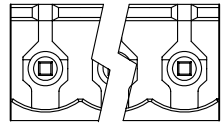
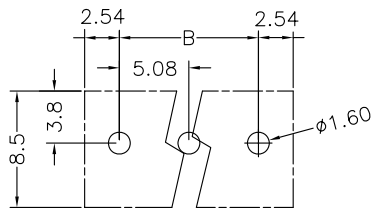
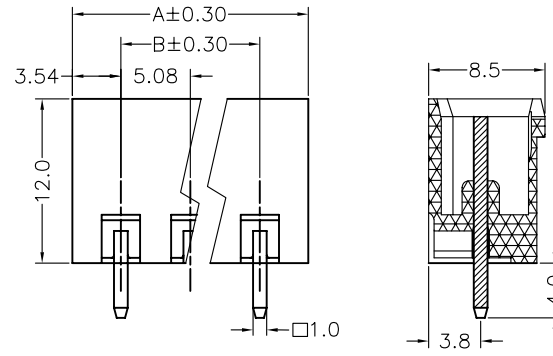
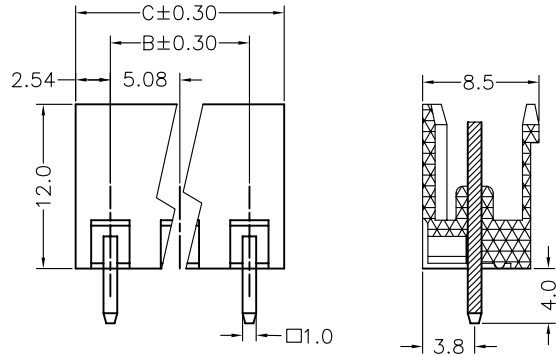
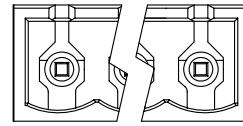


REV.	SPECIFICATION	ECN NO.	APPD.

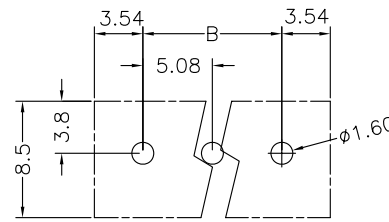
8930-G085120GBBxxSB



8930-G085120GBAxxSB



P.C.Board Layout



P.C.Board Layout

Material:

Housing: Thermoplastic Polyester UL94V-0.

Contact Pin: Copper Alloy, Tin Plated.

Electrical Characteristics:

Voltage Rating: 300V.

Current Rating: 20A.

Withstanding Voltage: 1.6KV.

Operating Temperature: -40°C~+115°C.

***RoHS Compliant**

8930- Series **G** G:Pitch 5.08mm **085120** Manufacturing Code **G** G:Green B:Black Y:Grey U:Blue **BA** BA:Close Type BB:Open Type **xx** No. of Positions **S** S:Straight **B** B:Bulk Package for 2~4Pos. Box Package for 5~24Pos.

Position	2 Thru 24
Dimension	
A	No. of Positions *5.08+2.0
B	(No. of Positions -1) *5.08
C	No. of Positions *5.08

Tolerances	Dwg. No.	8930D01013
x = ±0.5	Projection	
.x = ±0.30	Unit	mm
.xx = ±0.15	Scale	1:1
	Drawn By	PEGGY10/23/12

Title: 8930 Series
5.08mm Terminal Block
(8800-xxMTS1x-01)

OUPIIN ELECTRONIC(KUNSHAN) CO., LTD.			
P/N: 8930-G085120GBAxxSB			
SHEET	1/1	Ver.No.	A3

① 780