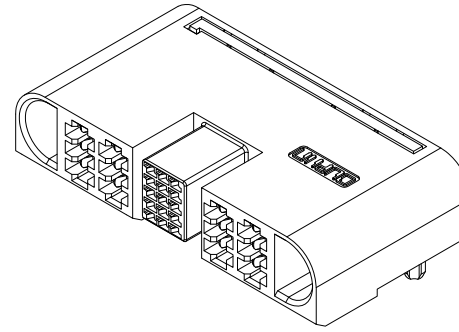
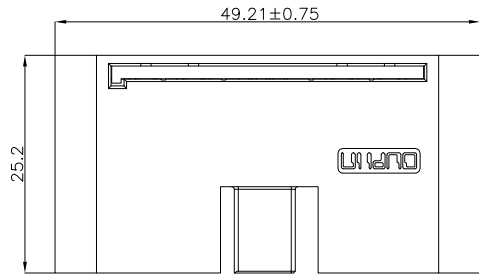


REV.	SPECIFICATION	ECN NO.	APPD.
R1		ECN220129	



**Material and Plating:**

Housing: LCP, UL94V-0, Black.  
Molding: LCP, UL94V-0, Black.  
Stopper: LCP, UL94V-0, Black.  
Power Contacts: High Conductivity Copper .  
Au+Pd/Ni or Gold Plated on Contact Area and 80u"  
Tin Plated on Press Fit over Nickel 50u".  
Signal Contacts : Phosphor Bronze.  
Au+Pd/Ni or Gold Plated on Contact Area and 80u"  
Tin Plated on Press Fit over Nickel 50u".

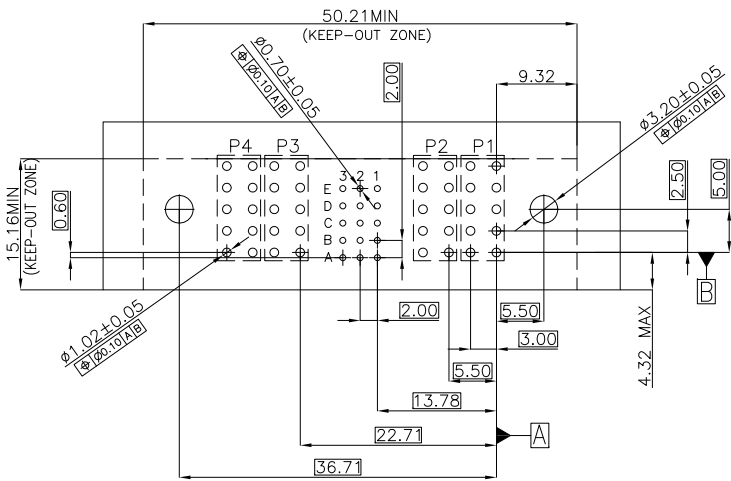
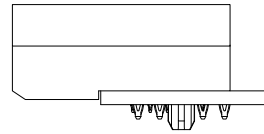
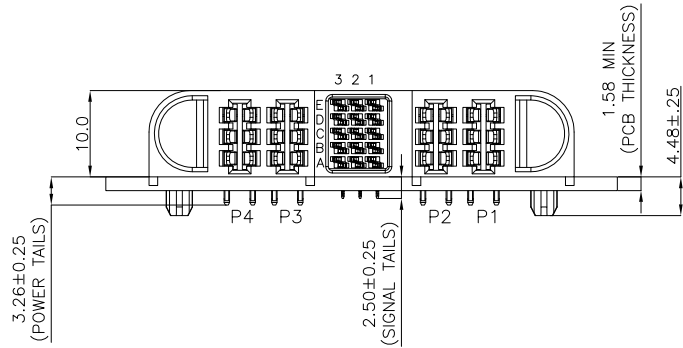
**Electrical Characteristics:**

Current Rating: Signal Pin 2.5 AMP.  
Power Pin 60 AMP.  
Dielectric Withstanding Voltage: Power Pin :DC 1500V For 1 minute.  
Signal Pin :DC 500V For 1 minute.  
Insulator Resistance: 5000MΩ min.  
Contact Resistance: Signal Pin 30mΩ max.  
Power Pin 0.3mΩ max.  
Operating Temperature: -40°C ~+105°C .

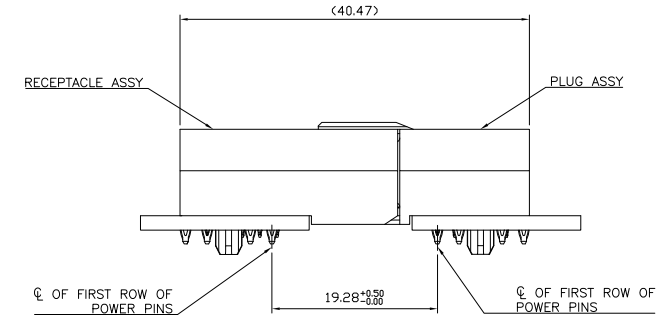
**\*RoHS Compliant**

**Notes :**

- L: Low Power---PCB Mount 3.0mm Pitch
- D: DC Power---PCB Mount 5.5mm Pitch
- A: AC Power---PCB Mount 7.5mm Pitch



P.C.Board Layout  
(Tolerance:±0.05)



MATED PROFILE  
(MATED WITH R/A RECEPTACLE ASSY)

9395-	4	D02	S15	D02	B	7	2	P	P	G2	A
Series	4: Female Right-angle	Blank:Without Contact Power Contact: Axx, Dxx, Lxx No. of position	Blank:Without Contact Signal Contact: S xx No. of position	Blank:Without Contact Power Contact: Axx, Dxx, Lxx No. of position	B: Dip Tin Plated Contact Au+Pd/Ni Plated	7: 30u"	2: Without Rib	P: With Post P: Press Fir Type	P: With Post P: Press Fir Type	G2: Guides Side	A: Tray Package

Tolerances	Dwg. No.	9395-D0000-054	Title: 9395 Series		 <b>OUPIN ELECTRONIC(KUNSHAN) CO., LTD.</b> P/N: 9395-4D02S15D02B72PPG2A			
x = ±0.5	Projection		Max P60					
.x = ±0.25	Unit	mm	Scale	1:1				
.xx = ±0.15	Drawn By	WP 12/21'21	10mm Low Profile, 60Amp Receptable, Right Angle					
					SHEET	1/1	Ver. No.	R1