

REV.	SPECIFICATION	ECN NO.	APPD.
A4			

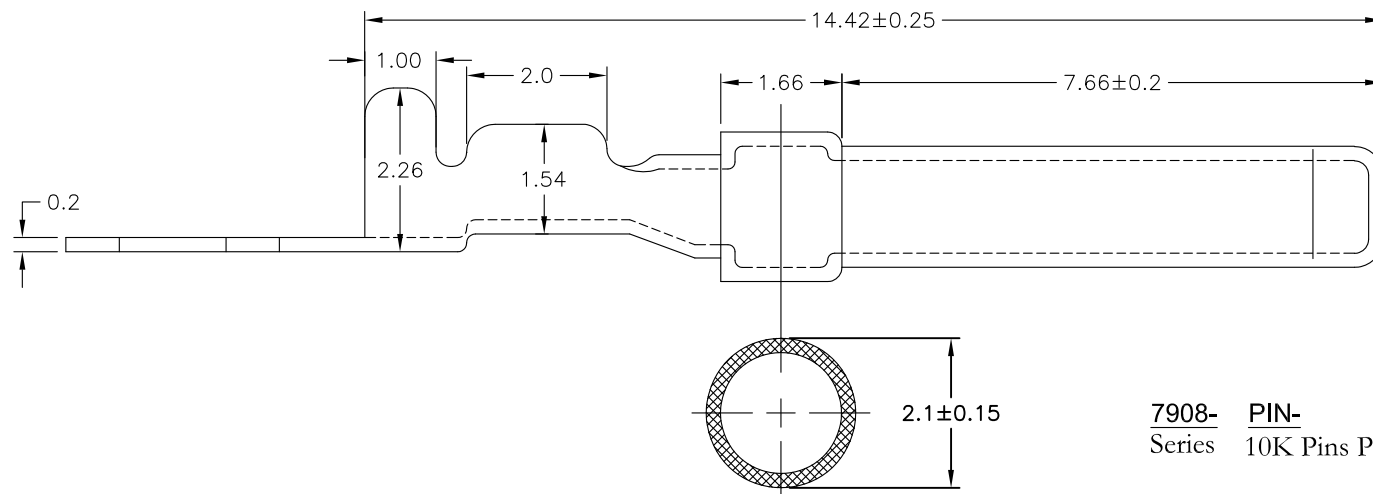
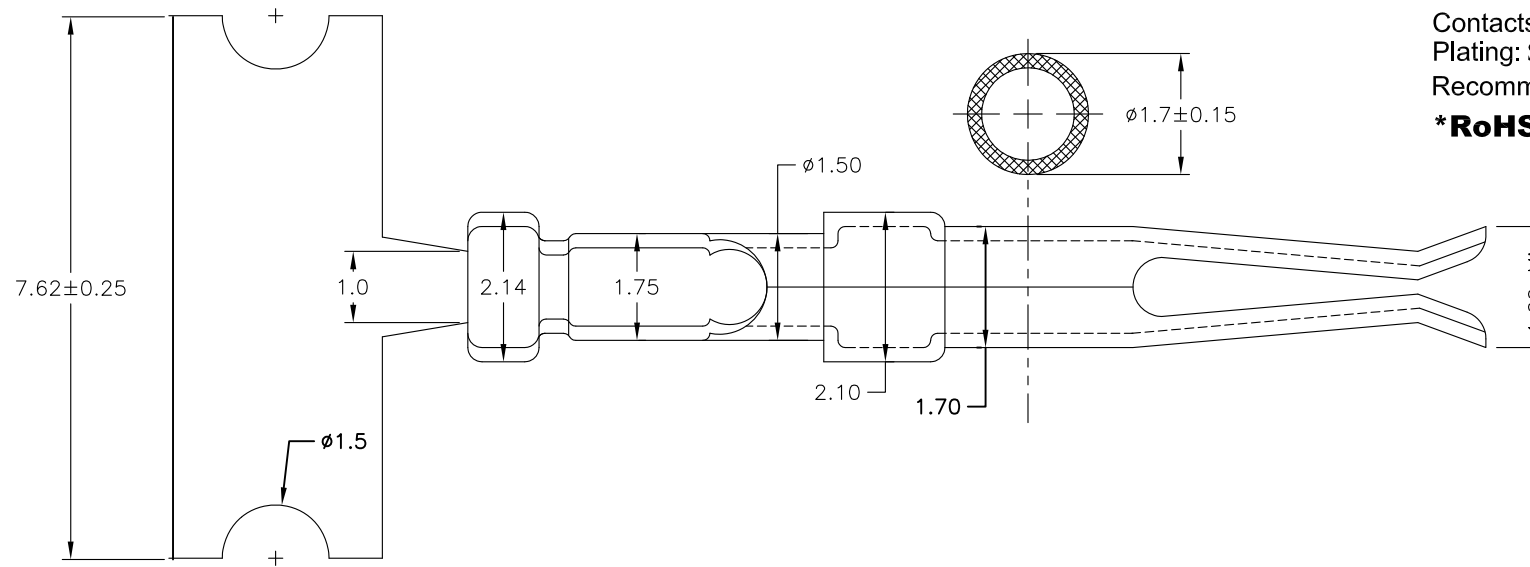
**Material:**

Contacts: Copper Alloy.


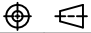
Plating: Selective Gold Plated.

Recommend Wire: 24AWG to 26AWG.

**\*RoHS Compliant**



7908- Series    PIN- 10K Pins Per Reel    F- F: Female    10K

Tolerances	Dwg. No.	7908D02006		Title:		 <b>OUPIIN ELECTRONIC(KUNSHAN) CO., LTD.</b> P/N: 7908-PIN-F-10K			
x = ±0.5	Projection			7908 Series Female-Pin					
.x = ±0.25	Unit	mm	Scale	1:1		SHEET	1/1	Ver.No.	A5
.xx = ±0.15	Drawn By	Vic Lyu10/12'15			0734				