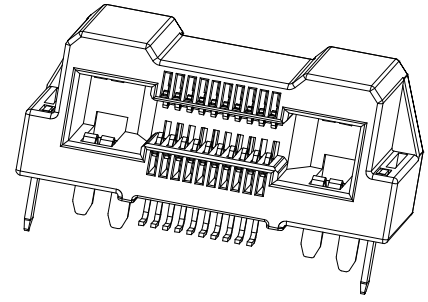
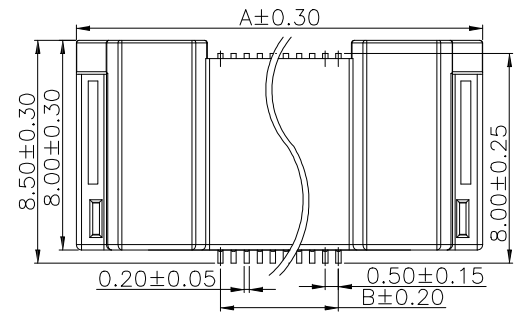
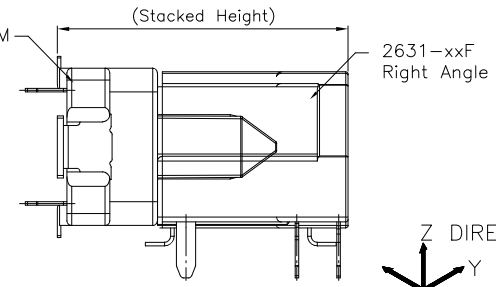
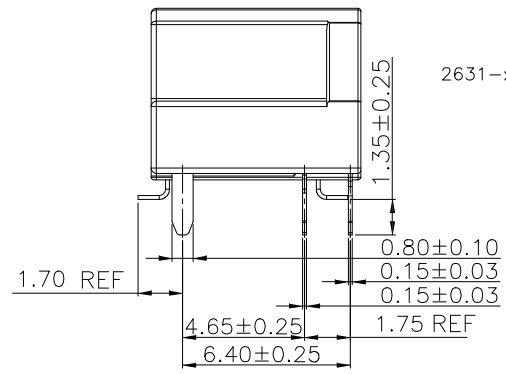
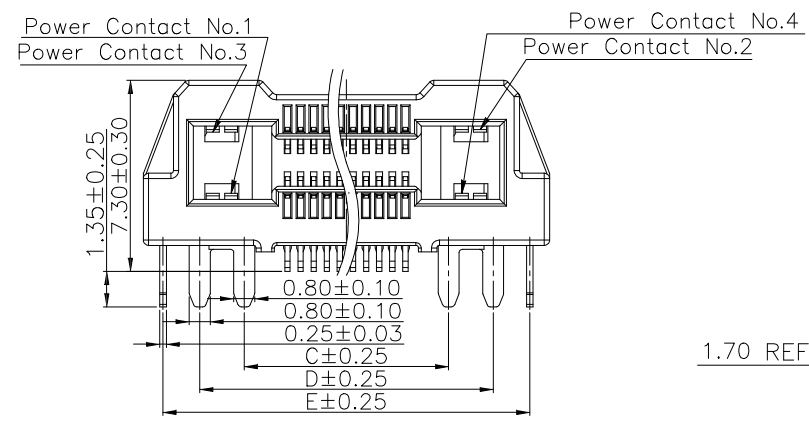


REV.	SPECIFICATION	ECN NO.	APPD.

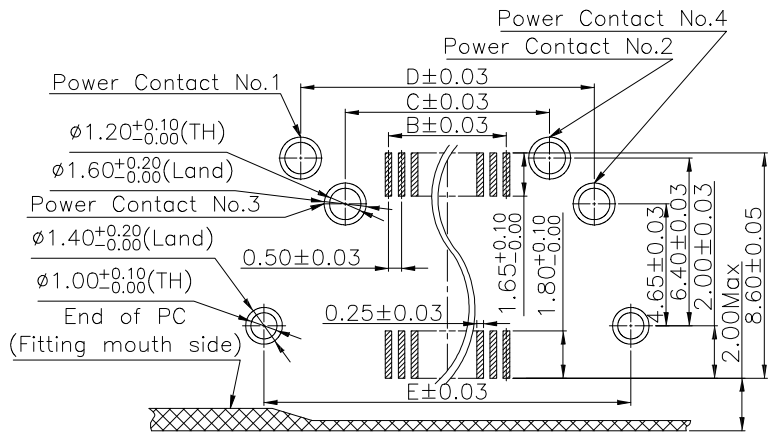


**Material:**  
**Housing:** LCP, UL94V-0, Black.  
**Contacts:** C7025-TM03, Gold Plated on Contact Area and Gold Flash on Solder Tail over Nickel 50~100u".

**Electrical Characteristics:**  
**Current Rating:** 0.5A for Signal Pin.  
 3A for Power Pin.  
**Dielectric Withstanding Voltage:** AC 150V for Signal Pin.  
 AC 600V for Power Pin.  
**Insulation Resistance:** 100MΩ min for Signal Pin.  
 1000MΩ min for Power Pin.  
**Contact Resistance:** 70mΩ max for Signal Pin.  
 20mΩ max for Power Pin.  
**Operating Temperature:** -55°C~+105°C.  
**\*Data Rate: 8Gbps NRZ / 16Gbps PAM4**  
**\*RoHS Compliant**



Z DIRECTION: ±0.5mm  
 Y DIRECTION: ±0.6mm  
 X DIRECTION: ±0.6mm



Recommended P.C.Board Layout  
 (Tolerance: ±0.05)

Series: 2631-xxFG03DRNT  
 Positions: xx, F, G, 03, D, R, N, T  
 F: Female  
 G: Gold Plated  
 03: 3u"  
 T: Tape & Reel Package  
 N: Without Post  
 R: Right Angle  
 D: SMD Type

Series	Code 1	Code 2			
2631-xxM	Y	8.20			
	Z	13.20			
Stacked Height with 2631-xxF Right Angle	21.4	16.3			
Positions	Dimension				
	A	B	C	D	E
2x10	15.50	4.50	7.80	11.20	14.00
2x20	20.50	9.50	12.80	16.20	19.00
2x30	25.50	14.50	17.80	21.20	24.00
2x40	30.50	19.50	22.80	26.20	29.00
2x50	35.50	24.50	27.80	31.20	34.00
2x60	40.50	29.50	32.80	36.20	39.00

Tolerances	Dwg. No.	S0420230707-03-U999	Title:	2631 Series Pitch 0.5mm
.x = ±0.30	Projection		Female BTB Floating Connector SMD Right Angle Type	
.x = ±0.25	Unit	mm	Scale	1:N
.xx = ±0.15	Drawn By	Martin 11/14'23	719A	
.xxx = ±0.10				

**OUPIIN**  
 OUPIIN ELECTRONIC(KUNSHAN) CO., LTD.  
 P/N: 2631-xxFG03DRNT  
 SHEET 1/1 Ver.No. X1-A