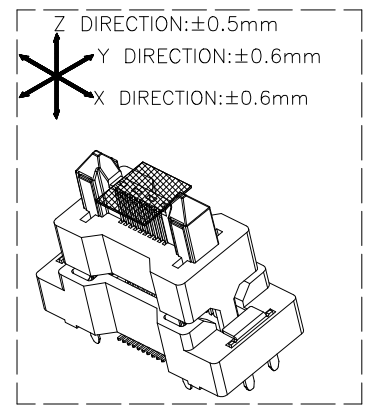
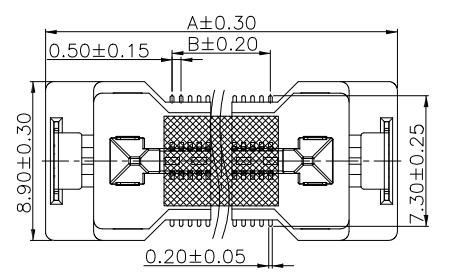
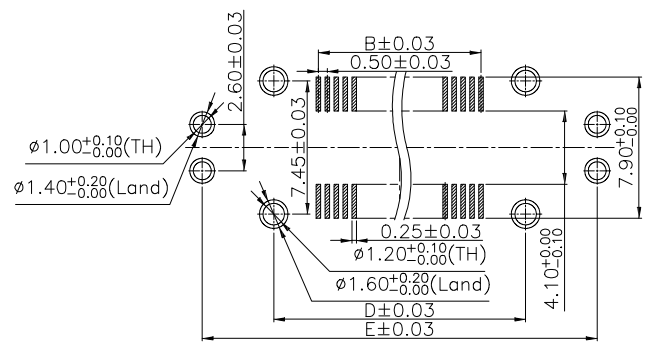
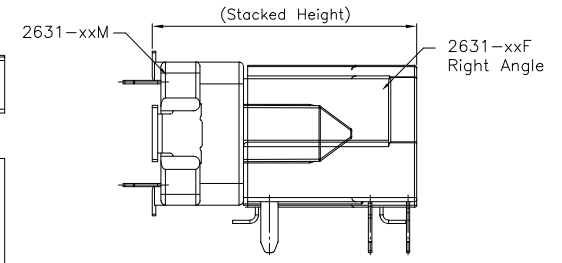
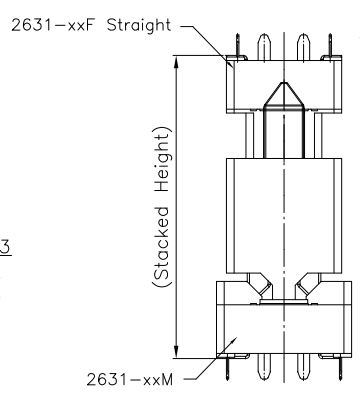
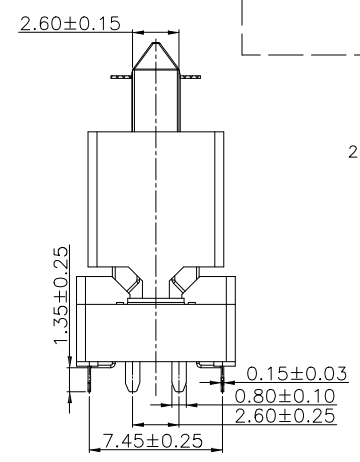
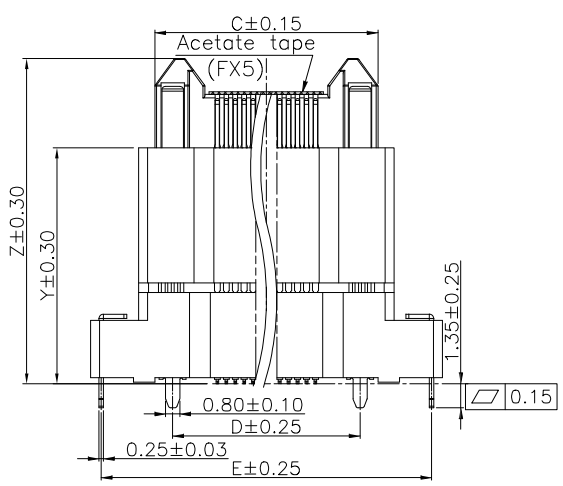


REV.	SPECIFICATION	ECN NO.	APPD.



Material:
Housing: LCP, UL94V-0, Black.
Contacts: C7025-TM03, Gold Plated on Contact Area and Gold Flash on Solder Tail over Nickel 50~100u".

Electrical Characteristics:
Current Rating: 0.5A for Signal Pin.
 3A for Power Pin.
Dielectric Withstanding Voltage: AC 150V for Signal Pin.
 AC 600V for Power Pin.
Insulation Resistance: 100MΩ min for Signal Pin.
 1000MΩ min for Power Pin.
Contact Resistance: 70mΩ max for Signal Pin.
 20mΩ max for Power Pin.
Operating Temperature: -55°C~+105°C.
***Data Rate: 8Gbps NRZ / 16Gbps PAM4**
***RoHS Compliant**



Recommended P.C.Board Layout
 (Tolerance:±0.05)

Series: 2631- xx M G 03 D 1 N 1 T -S
 Positions: Male
 G: Gold Plated
 D: SMD Type
 S: Mylar
 T: Tape & Reel Package
 1: Code 1
 2: Code 2
 N: Without Post
 Type 1

Series	Code 1	Code 2
2631-xxM	Y	13.20
	Z	18.20
Stacked Height with 2631-xxF Straight	20.0	15.0
Stacked Height with 2631-xxF Right Angle	21.4	16.3

Positions	Dimension					
	A	B	C	D	E	F
2x10	18.70	4.50	11.50	9.50	17.50	5.0
2x20	23.70	9.50	16.50	14.50	22.50	10.0
2x30	28.70	14.50	21.50	19.50	27.50	10.0
2x40	33.70	19.50	26.50	24.50	32.50	10.0
2x50	38.70	24.50	31.50	29.50	37.50	10.0
2x60	43.70	29.50	36.50	34.50	42.50	10.0

Tolerances	Dwg. No.	S0420230707-01-U999		Title:	2631 Series
.x = ±0.30	Projection	⊕ ⊖			Pitch 0.5mm
.x = ±0.25	Unit	mm	Scale	1:N	Male BTB Floating Connector
.xx = ±0.15	Drawn By	Martin	11/14'23	719A	SMD Type
.xxx = ±0.10					

OUPIIN			
OUPIIN ELECTRONIC(KUNSHAN) CO., LTD.			
P/N: 2631-xxMG03D1NxT-S			
SHEET	1/1	Ver.No.	X1-A